

CAMERO SERIES

SLIDING DOORS

Shower Enclosures

Models 240C - 270C

Height 69 3/4"

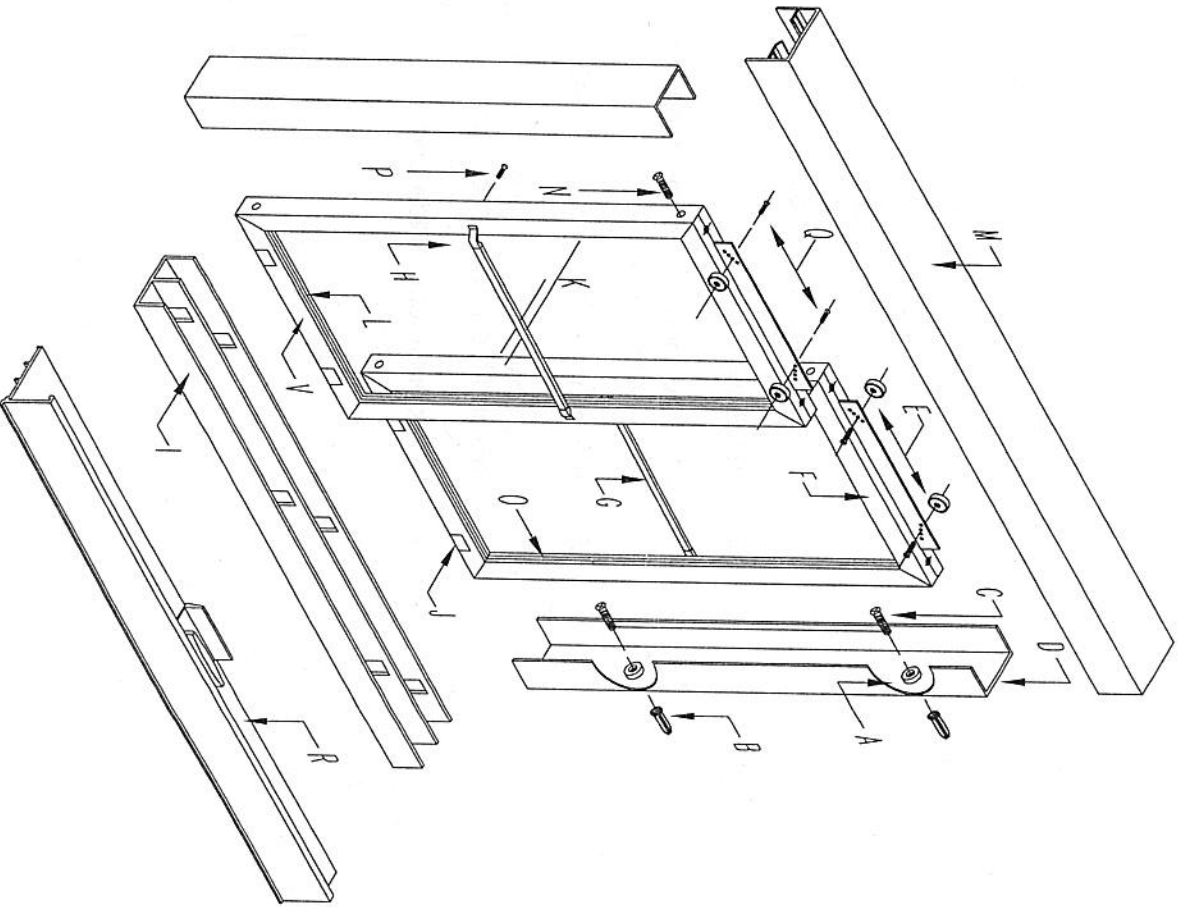
Tub Enclosures

Models 158C

Height 57 3/4"



7350 N.W. 37th Avenue, Miami, Florida 33147
 Dade 691-7943, Broward 764-2011, Fla. Toll Free 1-800-432-9549
 National Toll Free 1-800-331-4478, Fax # (305) 693-0754



GLAZED INCLUDES GLASS or PLASTIC

KD

DOES NOT INCLUDE GLASS or PLASTIC

WHEN ORDERING REPLACEMENT PARTS, REFER TO PART NO. DESCRIPTION & MODEL NO.			
KEY LETTER	PART NO.	PART LIST DESCRIPTION	QUAN.
A	60	Bumper	4
B	64	Wall anchor	4
C	43	Installation screw	4
D	120	Jamb	2
E	23	Rollers	4
F	102	Top frame	2
G	207	Towel bar	2
H	708	Cast towel bar bracket	4
I	104	Track	1
J	61	Nylon guide	3
K	90	Tempered Glass	2
L	81	Glazing Vinyl	34'
M	101	Header	1
N	41	Assm. Screw #8-32x1/2" P.H. fh. ms.	16
O	103	Side frame	4
P	40	Bracket screw #8-32x3/8" P.H. Truss hd. sms.	4
Q	40	Roller screw #8-32x3/8" P.H. Truss hd. ms.	4
R	824	Track (OPTIONAL)	1
S	103	Bottom frame	2
T	42	Adj. Screw 6 x 3/8 P.H.	2
U	262	Clean track Guide (OPTIONAL)	1

Glass size equals frame size less 1 1/2" inch in height and width.
 Door panel width equals door opening divided by two plus 1/4" inch.

CAMERO SERIES

SLIDING DOORS

Shower Enclosures

Models 240C-270C.

Height 69 3/4"

Tub Enclosures

Models 154C, 158C, 164C.

Height 57 3/4"

BEWARE

1. When measuring look out for towel bars, electric switches, paper holders, tile obstruction, etc.
2. All measurements should be taken facing the enclosure while standing in the bathroom.
3. Give accurate measurements between finished opening.

INSTALLATION NOTES

1. Use 3/16" drill to make holes in walls.
2. Cut, cement and install track.
3. Install wall jamb.
4. Cut header (M) 1/16" less than opening and slip down over side jambs.
5. Attach rollers (E) to top of panels.
6. Lift up inside door by slipping rollers up into header (M) and then down into track (I).
7. Caulk entire unit, inside and out.

Peterson Industries

7350 N.W. 37th Avenue, Miami, Florida 33147
Dade 691-7943, Broward 764-2011, Fla. Toll Free 1-800-432-8549
National Toll Free 1-800-331-4478, Fax # (305) 693-0754