

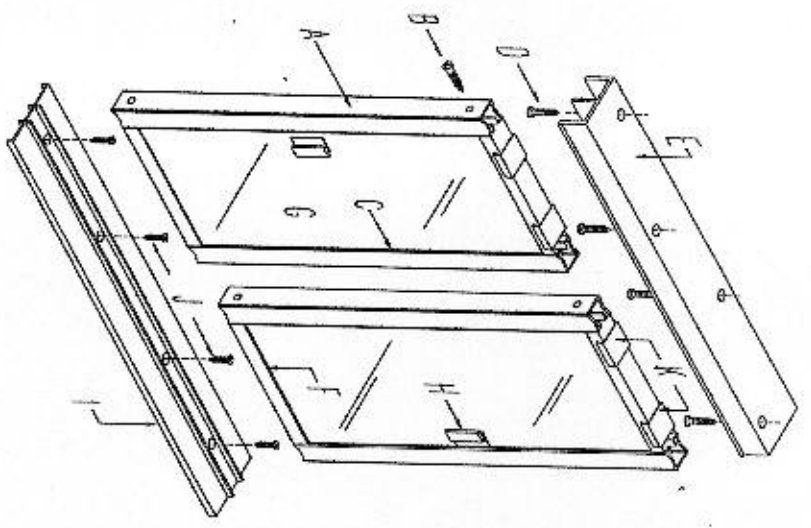
3

**"E" Series Mirror Closet Doors**  
General Specifications

Units shall be "E" Series Mirror Closet Doors, as manufactured by Peterson Industries, Inc.

**Material :** Structural sections shall be extruded aluminum, 6061-T-5 Alloy. Glazing shall be safety laminated mirror to meet or exceed ANSI Z97-1 and/or CPSC 42FR1428; 16CFR 1201-II.

**Construction :** Sliding mirror wardrobe doors shall be consist c safety backed mirror surrounded by extruded aluminum channel frames with integral screw channels fastened with screws. Frame shall allow a minimum penetration of glazing material, se in extruded virgin vinyl channel, of 3/8" inch. Sliding doors shall be supported by a nylon tired roller with oilite bearings and by guided by extruded PVC top guides with Schlegel type woolpile. Rollers are to be adjustable to allow for out of plumb walls.



PARTS LIST

- A. #723 SIDE FRAME
- B. 8X1 ASSEMBLY SCREW
- C. GLAZING VINYL
- D. 8X1 1/2" INSTALLATION SCREW
- E. #721 HEADER
- F. #725 BOTTOM FRAME
- G. MIRROR
- H. #726 HANDLE
- I. #722 TRACK
- J. 8X1 1/2" INSTALLATION SCREW
- K. GUIDE FOR TOP PANEL

1. Measure width of opening. Cut Header & Track 1/16" smaller than opening width.
2. Install Header & Track using screws provided. For best results insert Header & Track 1/2" from face of opening, tacking care to insure that Header & Track properly aligned.
3. Position guides on top-rail of Panels.
4. Place panels in Header & Track. Plumb panels to walls using adjustment screws located on rollers.

