

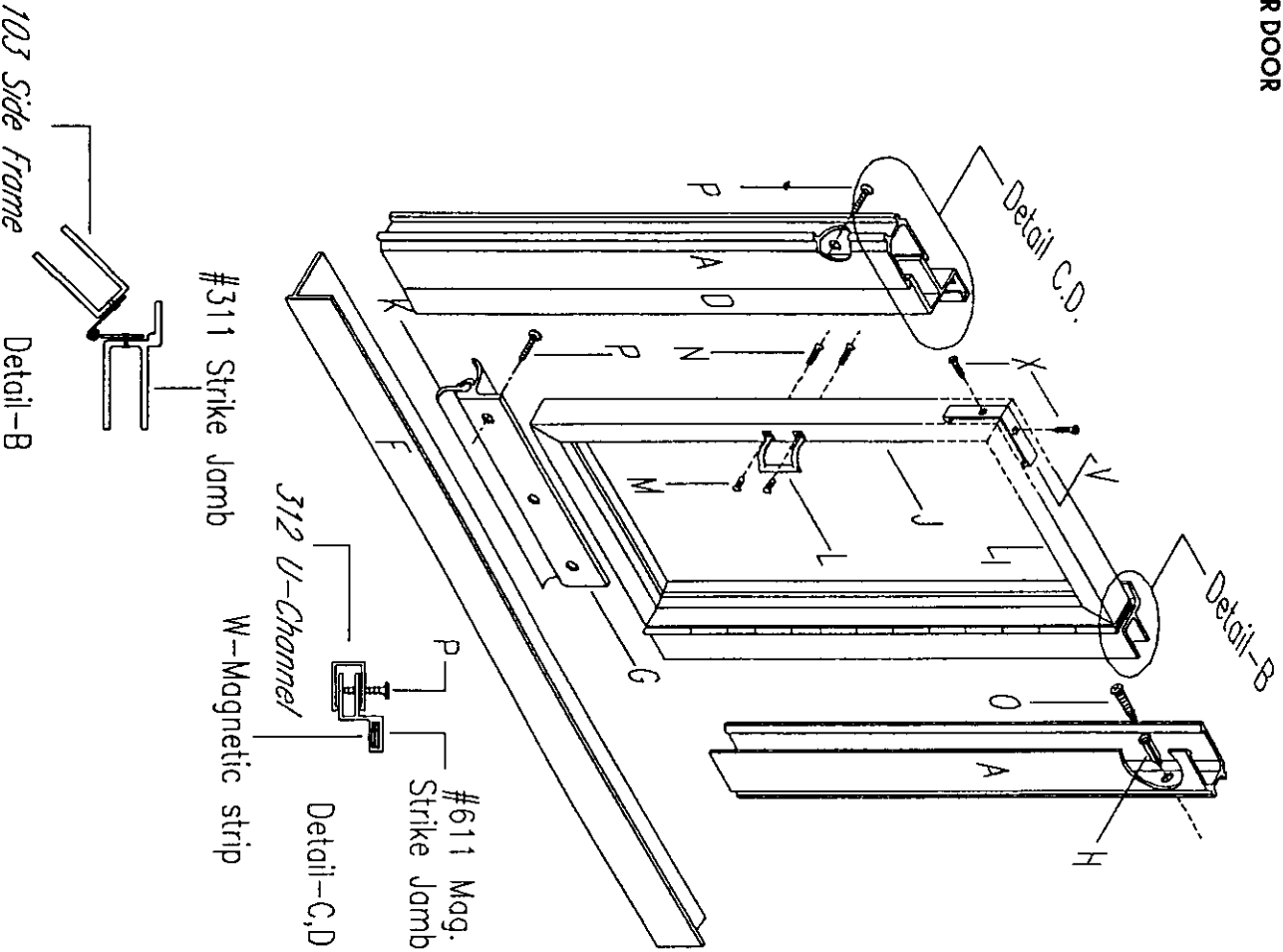
Baron

300-B

MODEL-300B
SHOWER DOOR

Peterson Industries

7350 N.W. 37th Avenue, Miami, Florida 33147
Dade 691-7943, Broward 764-2011, Fla. Toll Free 1-800-432-8549
National Toll Free 1-800-331-4478, Fax # (305) 693-0754



GLAZED INCLUDES GLASS or PLASTIC

DOES NOT INCLUDE GLASS or PLASTIC

WHEN ORDERING REPLACEMENT PARTS, REFER TO PART NO. DESCRIPTION & MODEL NO.

KEY LETTER	PART NO.	PART LIST DESCRIPTION	QUAN.
A	312	U-channel	2
B	701	Hinge Assm. strike jamb. side frame	1
C	...	Reserved	...
D	611	Magnetic strike jamb	1
E	...	Reserved	...
F	313	Bottom angle	1
G	308	Drip pan	1
H	64	Wall anchors	8
I	103	Top & Bottom Frames	2
J	203	Magnetic side frame (door)	1
K	82	Drip pan vinyl	1
L	616	Handle	2
M	44	Screw jacket	2
N	40	Handle screw 8-32x3/8 P.H. Tr. HD MS	2
O	43	Installation screw 8x1 P.H. pan sms	8
P	42	Adjustment screw 6x3/8 P.H. PAN SMS.	12
Q	...	Reserved	...
R	80	Glazing vinyl (3/16)	16 ft.
S	...	Reserved	...
T	...	Reserved	...
U	...	Reserved	...
V	20	Corner lock	4
W	91	Magnetic strip	2
X	41	Assm. screw 8-32x1/2 P.H. FH. SMS.	8

Frame size equals overall opening width minus 3 inches.
Glass size equals frame size less 1 1/2" inch in height and width.
Drip Roll is 1/2" less than frame size.

BARON

Division
300-B

MODEL-300B
HINGED SHOWER DOOR

Peterson Industries
7350 N.W. 37th Avenue, Miral, Florida 33147
Dade 691-7943, Broward 764-2011, Fla. Toll Free 1-800-432-8549
National Toll Free 1-800-331-4478, Fax # (305) 693-0754

BEWARE

1. Door to always be away from shower head and swings out.
2. When measuring, look out for towel bars, lavatories, ect. Anything that would obstruct the path of door when opening.
3. All measurements are to be taken facing the enclosure while standing in the bathroom. Give accurate measurements between all arrows.

INSTALLATION NOTES

1. Cut bottom angle (F) to length, caulk and install.
2. Install u-channels (A) on wall, use 3/16" masonry drill bit to make holes in wall.
3. Slide magnetic strike jamb (D) into u-channel (A).
4. Slide hinge assembly (B) into remaining u-channel (A).
5. Adjust hinge assembly and magnetic strike so door and strike are plumb, level, and square. Secure with #6x3/8" screws (P)
6. Calk entire unit inside and out.