

# BARON SERIES

## SLIDING DOORS

### Shower Enclosures

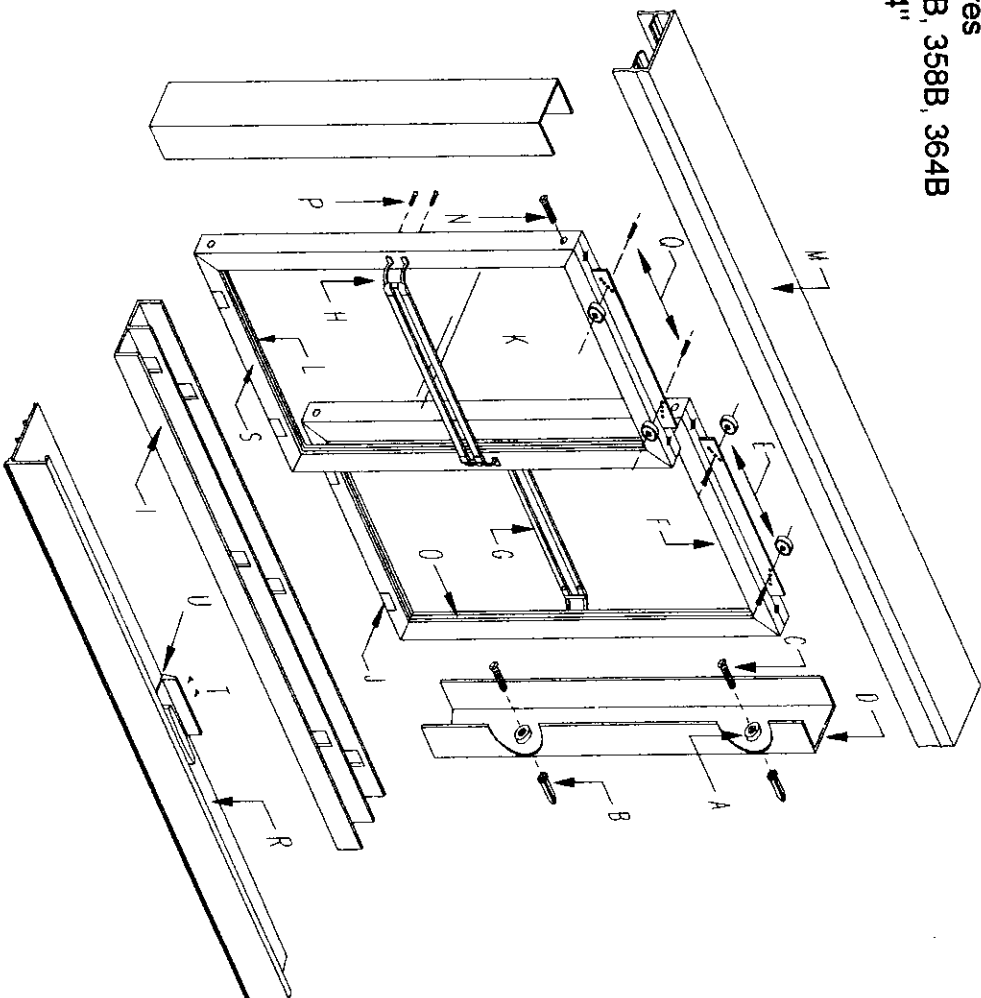
Models 440B - 470B

Height 69 3/4"

### Tub Enclosures

Models 354B, 358B, 364B

Height 57 3/4"



**Peterson Industries**  
 7550 N.W. 37th Avenue, Miami, Florida 33147  
 Dade 691-7944, Broward 764-2011, Fla. Toll Free 1-800-433-8549  
 National Toll Free 1-800-331-4478, Fax # (305) 695-0734

GLAZED INCLUDES GLASS or PLASTIC

GLASS or PLASTIC

DOES NOT INCLUDE GLASS or PLASTIC

### WHEN ORDERING REPLACEMENT PARTS, REFER TO PART NO. DESCRIPTION & MODEL NO.

KEY LETTER	PART NO.	PART LIST DESCRIPTION	QUAN.
A	60	Bumper	4
B	64	Wall anchor	4
C	43	Installation screw	4
D	605	Jamb	2
E	23	Rollers	4
F	102	Top frame	2
G	207	Towel bar	4
H	706d	Cast towel bar bracket	4
I	104	Track	1
J	61	Nylon guide	3
K	90	Tempered Glass	2
L	81	Glazing Vinyl (.156)	34'
M	319	Header	1
N	41	Assm. Screw #8-32x1/2" P.H. fh. ms.	16
O	103	Side frame	4
P	40	Bracket screw #8-32x3/8" P.H.	8
Q	40	Truss hd. sms. Roller screw #8-32x3/8" P.H.	4
R	824	Track (OPTIONAL)	1
S	103	Bottom frame	2
T	42	Adj. Screw 6 x 3/8 P.H.	2
U	262	Clean track Guide (OPTIONAL)	1

Glass size equals frame size less 1 1/2" inch in height and width.  
 Door panel width equals door opening divided by two plus 1/4" inch.

**Important Note:**  
 If your unit has clean track feature, #824 track will be supplied in place of #104 track. discard #61

# BARON SERIES

## SLIDING DOORS

### Shower Enclosures

Models 440B - 470B

Height 69 3/4"

### Tub Enclosures

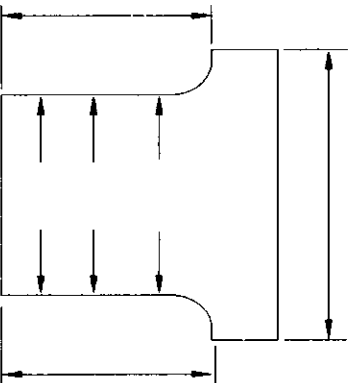
Models 354B, 358B, 364B

Height 57 3/4"

**Peterson Industries**  
7350 NW 37th Avenue, Miami, Florida 33147  
Dade 697-7943, Broward 764-2011, Fla. Toll Free 1-800-432-8549  
National Toll Free 1-800-331-4478, Fax # (305) 693-0754

## BEWARE

1. When measuring look out for towel bars, electric switches, paper holders, tile obstruction, etc.
2. All measurements to be taken facing the enclosure while standing in the bathroom.
3. Give accurate measurements between all arrows.



## INSTALLATION NOTES

1. Use 3/16" drill to make holes in walls.
2. Cut, cement and install track.
3. Install wall jamb.
4. Cut header (M) 1/16" less than opening and slip down over side jambs.
5. Attach rollers (E) to top of panels.
6. Lift up inside door by slipping rollers up into header (M) and then down into track (I).
7. Caulk entire unit, inside and out.